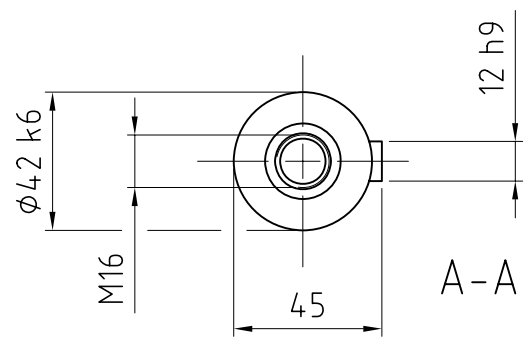
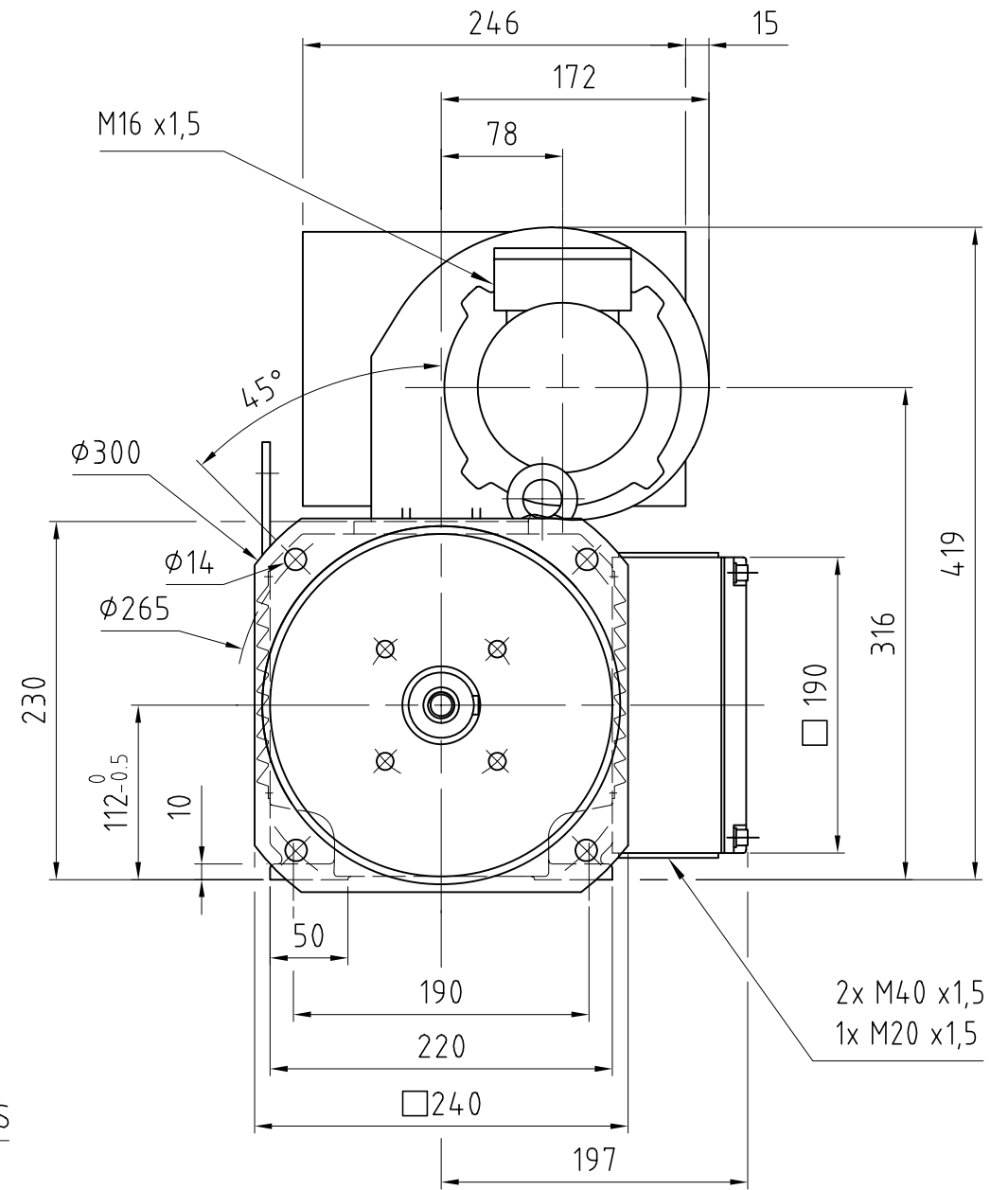
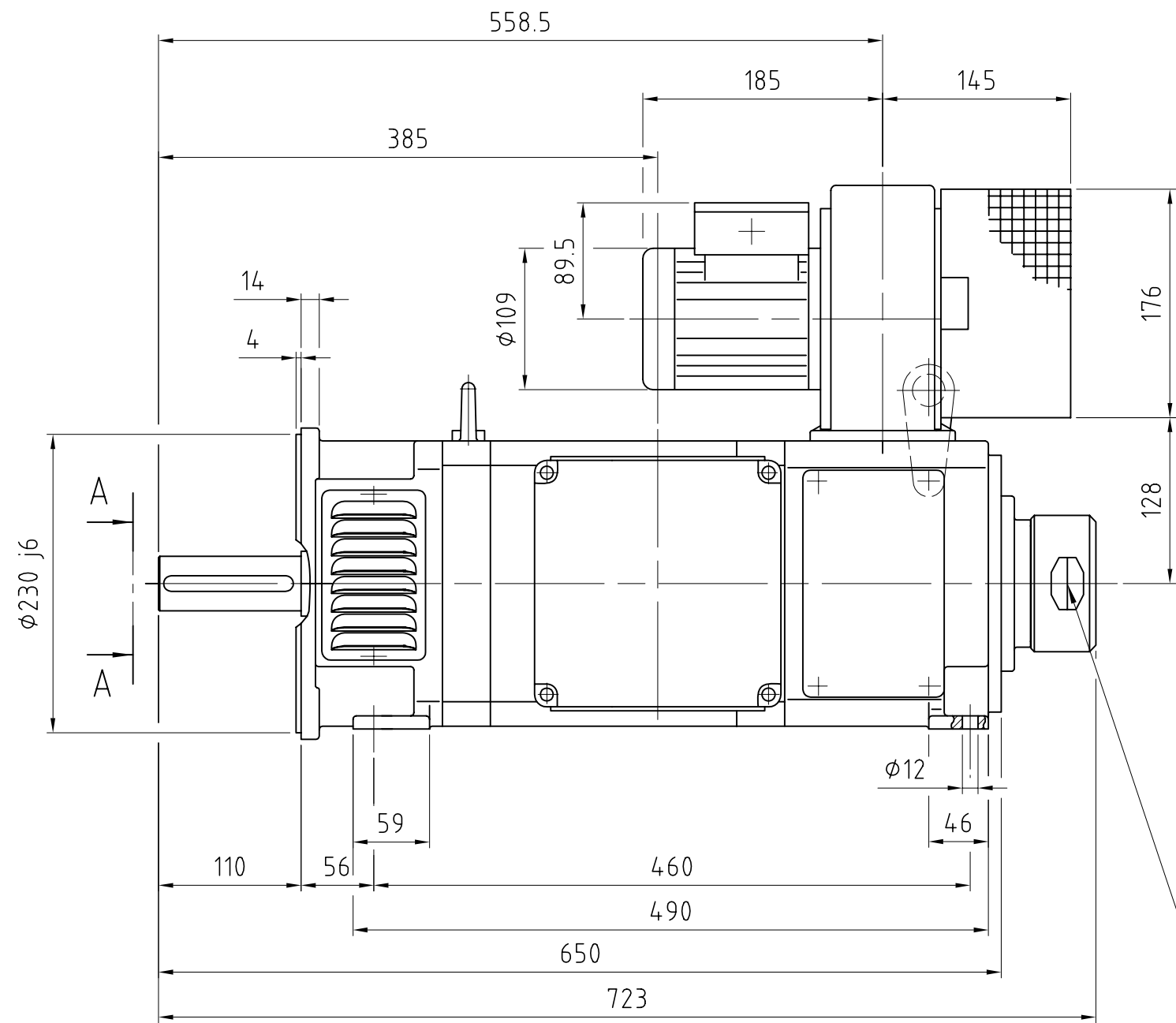


We reserve all rights in this document and in the information contained herein. Reproduction, use or disclosure to third parties without express authority is strictly forbidden.



M12 x1,5  
Tacho: GHTS

2x M40 x1,5  
1x M20 x1,5

IM 2001  
IP 23  
IC 06

Based on	Pcl 808430	Reg no 3HB	
Prepared	07-01-10	H Hällstrand	Dimension Print DMR 112SN
Approved	07-01-12	RUNE GUNNARSSON	Måttskiss DMR 112SN
Resp dept AP/MGT		Take over dept	Revision
<b>ABB</b>			Lang 82
3BSM 016964-2			Page 1
			Cont