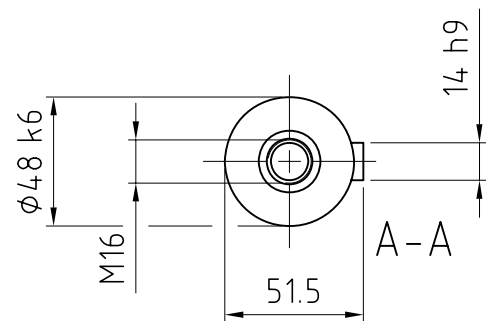
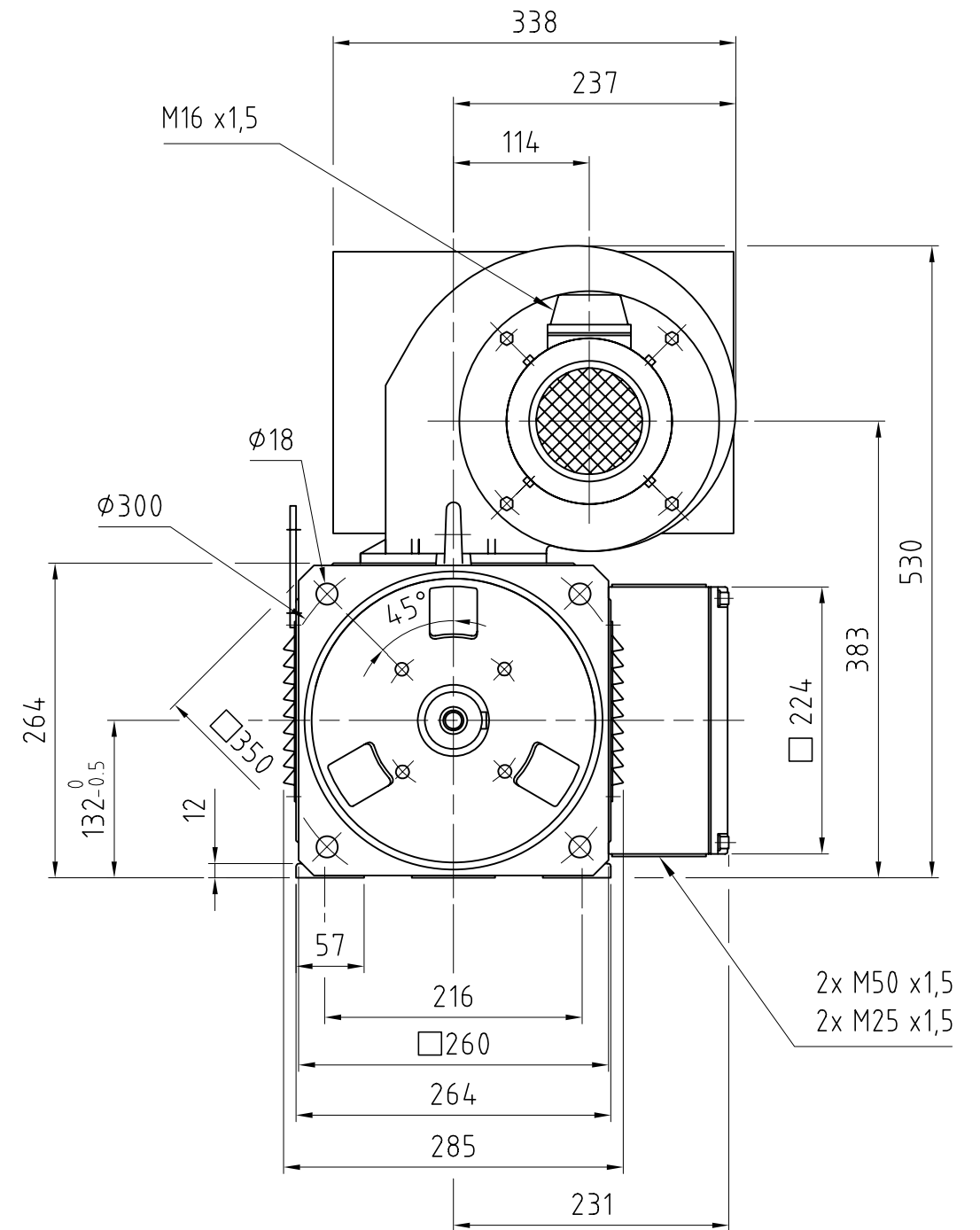
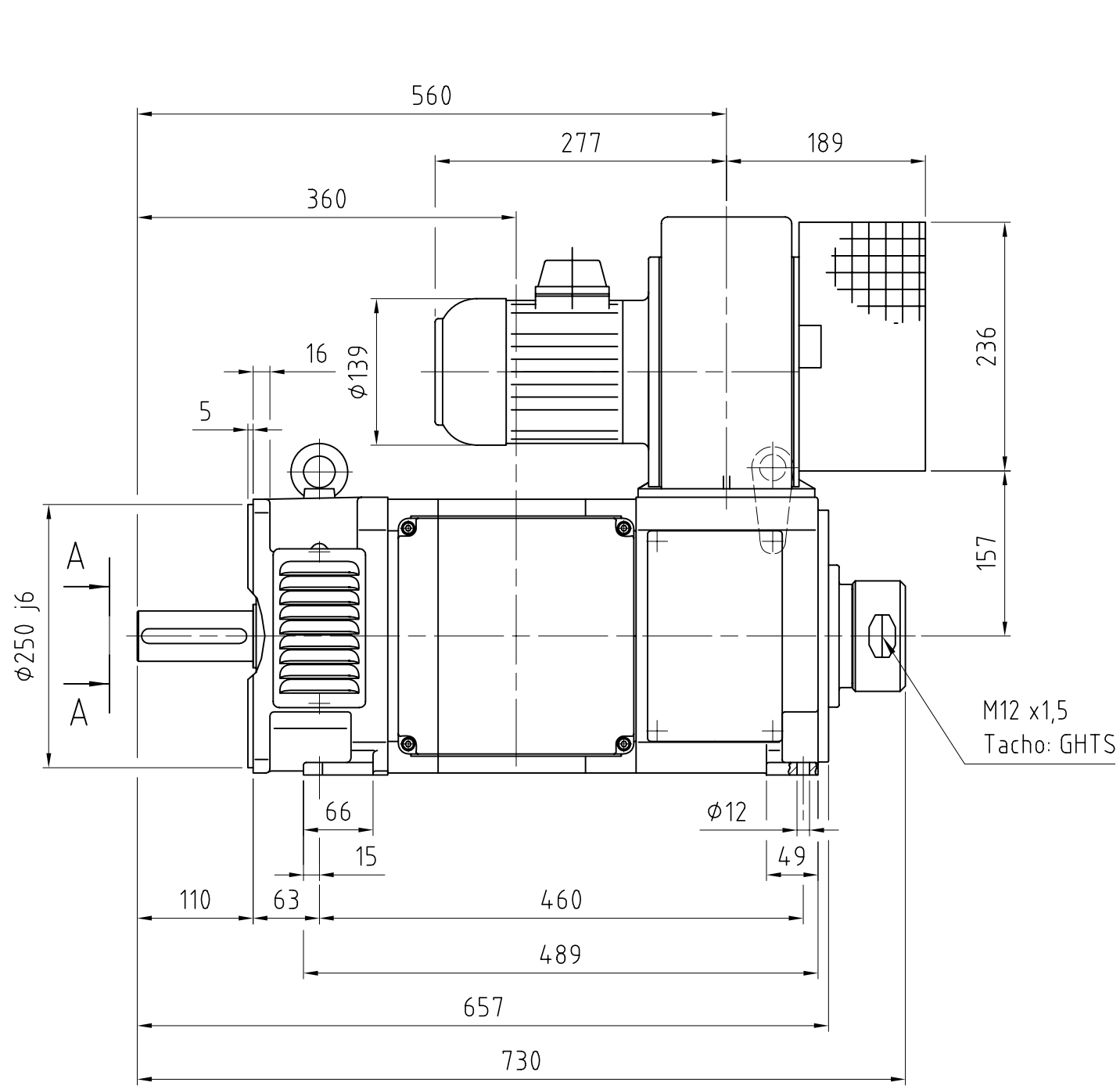


We reserve all rights in this document and in the information contained herein. Reproduction, use or disclosure to third parties without express authority is strictly forbidden.



IM 2001
IP 23
IC 06

| | | | |
|------------------|----------------|-----------------|---------------------------|
| Based on | Pcl 808430 | Reg no 3HB | |
| Prepared | 07-01-10 | H Hällstrand | Dimension Print DMR 132KN |
| Approved | 07-01-12 | RUNE GUNNARSSON | Måttskiss DMR 132KN |
| Resp dept AP/MGT | Take over dept | Revision | Lang 82 |
| | | | Page 1 |
| | | | Cont |
| 3BSM 016968-2 | | | |