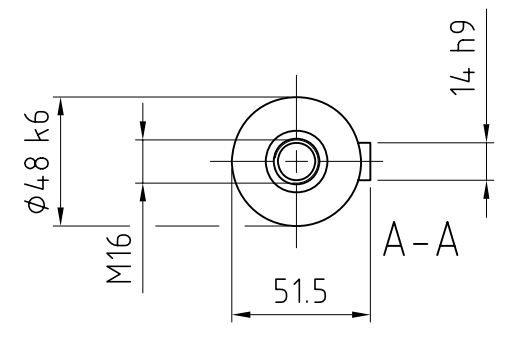
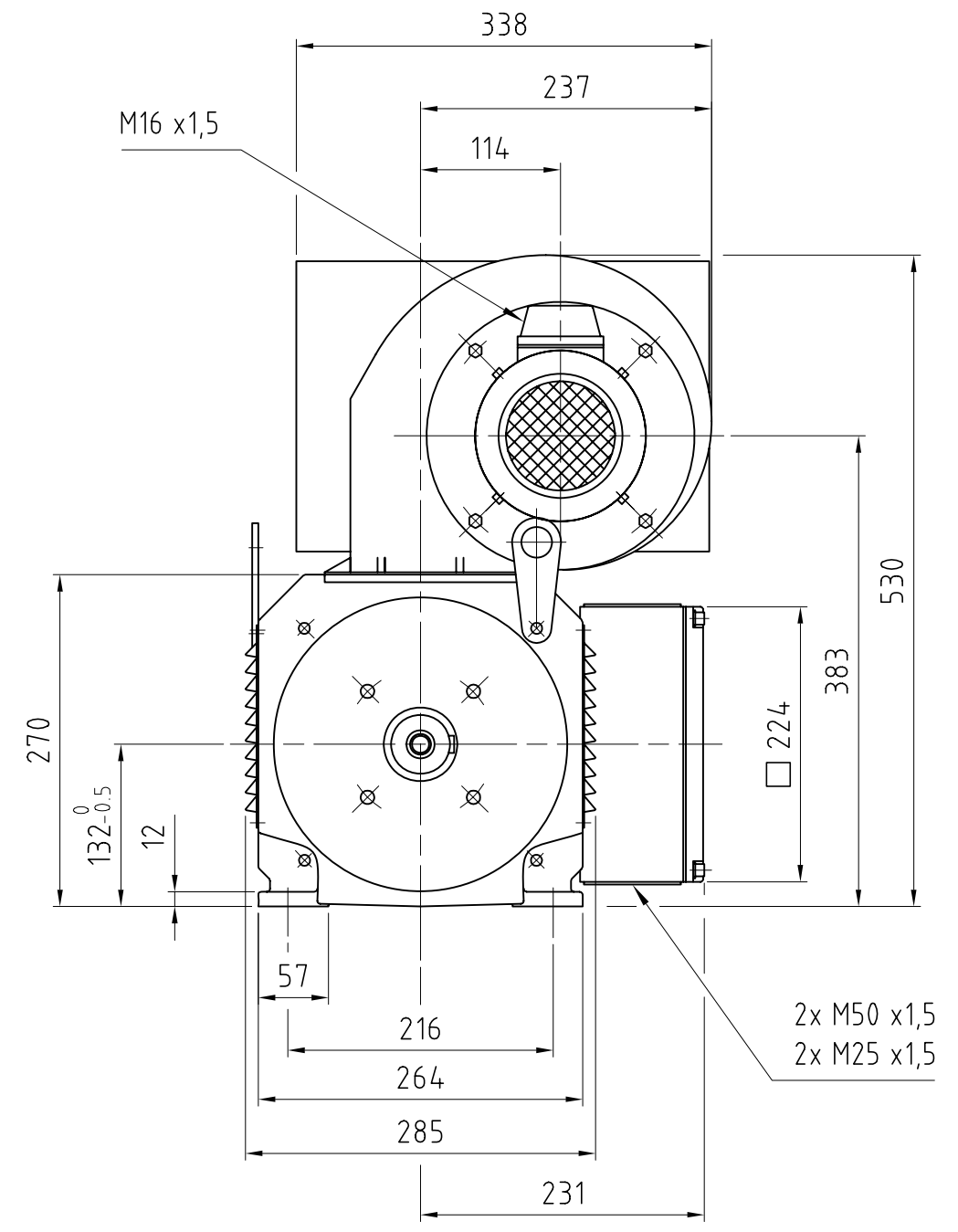
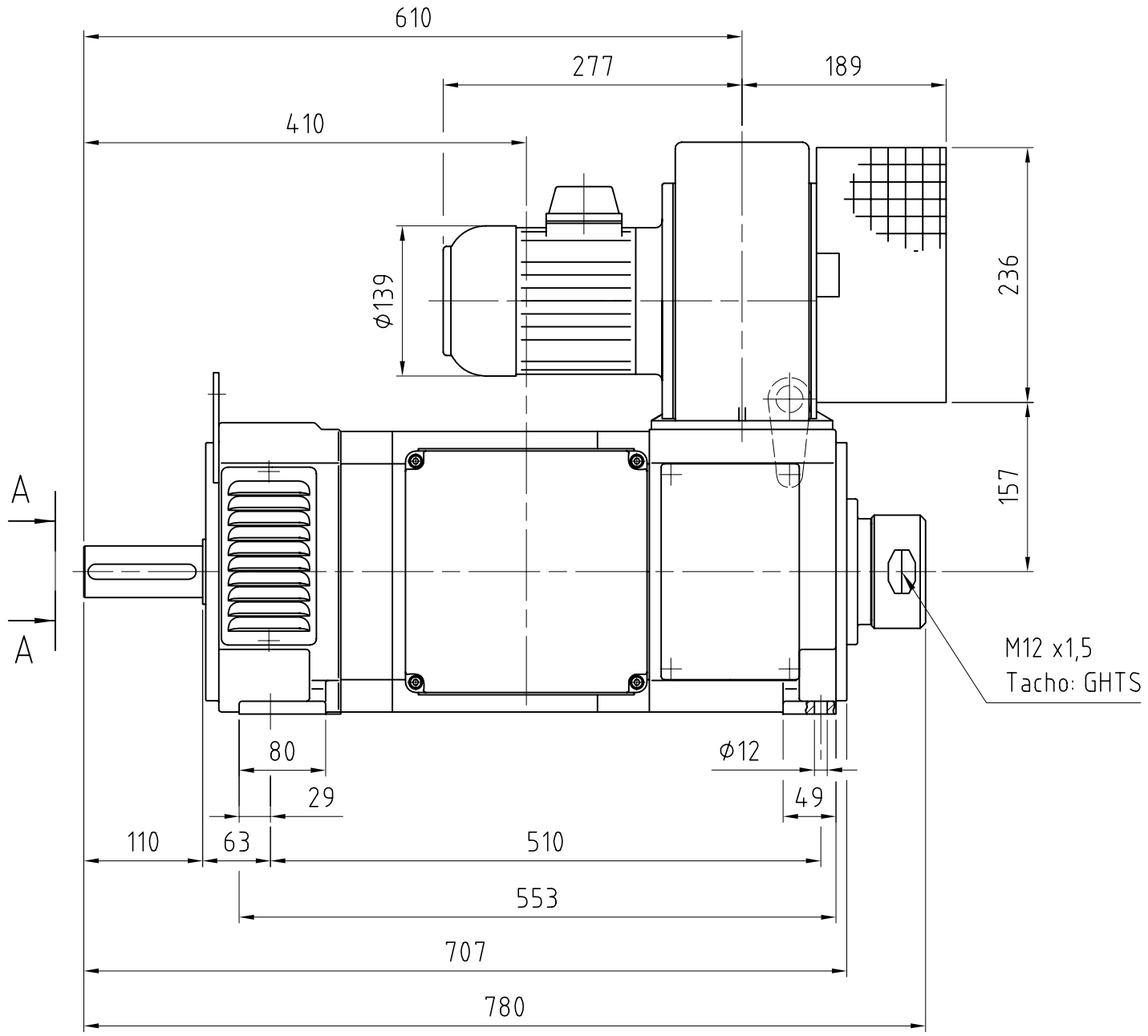


We reserve all rights in this document and in the information contained herein. Reproduction, use or disclosure to third parties without express authority is strictly forbidden.

1 2 3 4 5 6



IM 1001
IP 23
IC 06

Based on	Pcl 808430	Reg no 3HB	
Prepared	07-01-10	H Hällstrand	Dimension Print DMR 132SN
Approved	07-01-12	RUNE GUNNARSSON	Måttskiss DMR 132SN
Resp dept AP/MGT		Take over dept	Revision
			Lang 82
			Page 1
3BSM 016969-1			Cont

1 2 3 4 5 6

A
B
C
D
A3