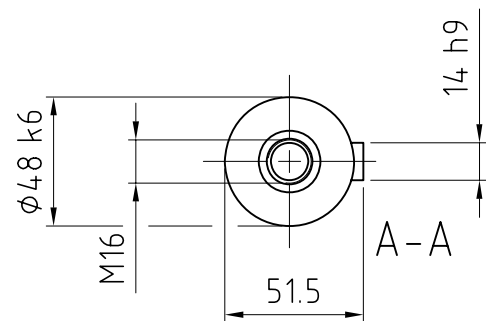
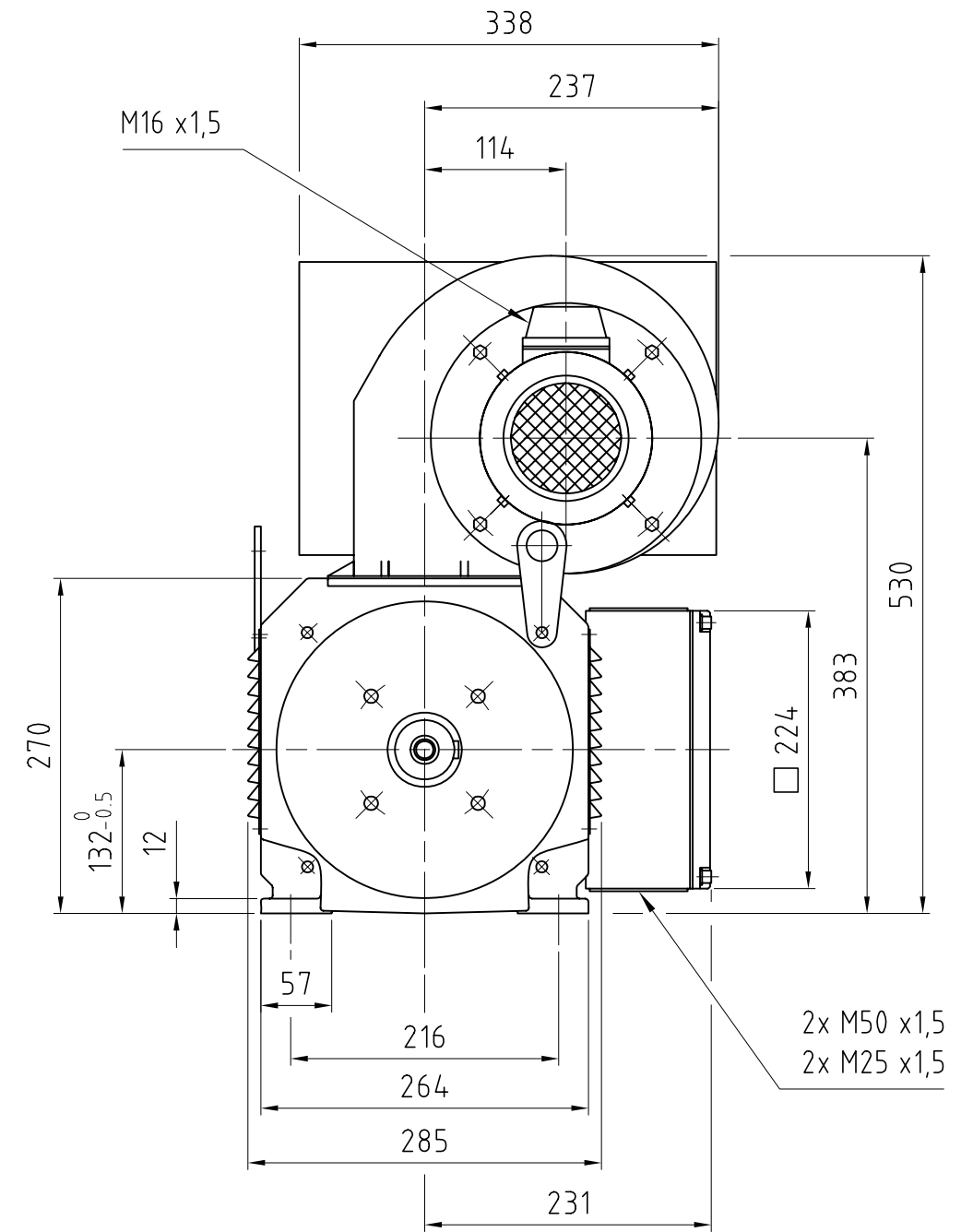
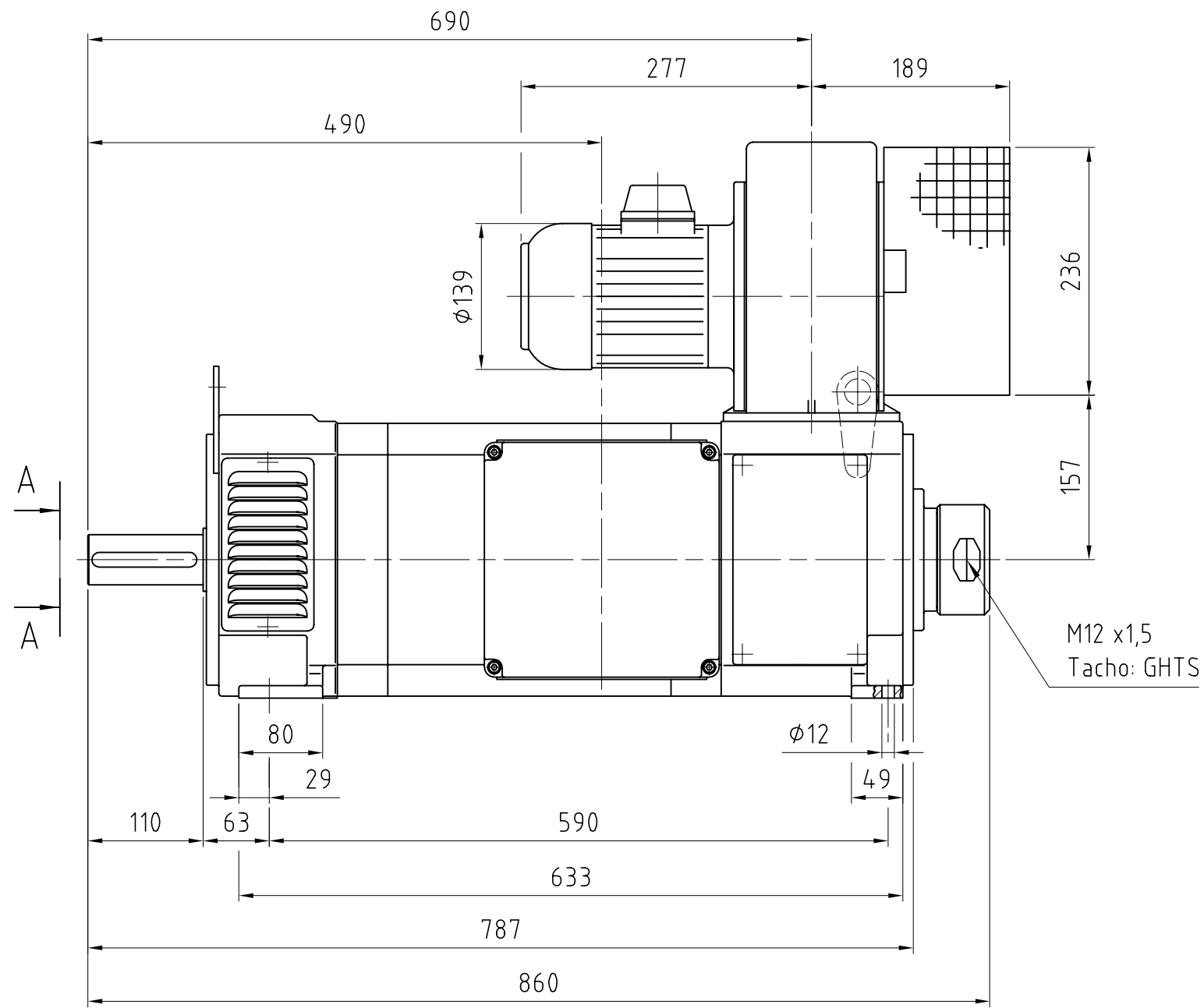


We reserve all rights in this document and in the information contained herein. Reproduction, use or disclosure to third parties without express authority is strictly forbidden.



IM 1001
IP 23
IC 06

Based on	Pcl 808430	Reg no 3HB	
Prepared	07-01-10	H Hällstrand	Dimension Print DMR 132MN
Approved	07-01-12	RUNE GUNNARSSON	Måttskiss DMR 132MN
Resp dept AP/MGT		Take over dept	Revision
ABB			Lang 82
			Page 1
			Cont
3BSM 016970-1			