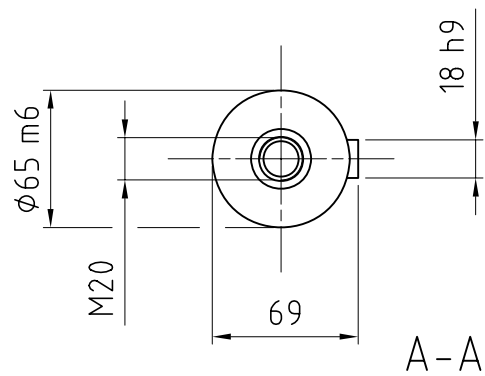
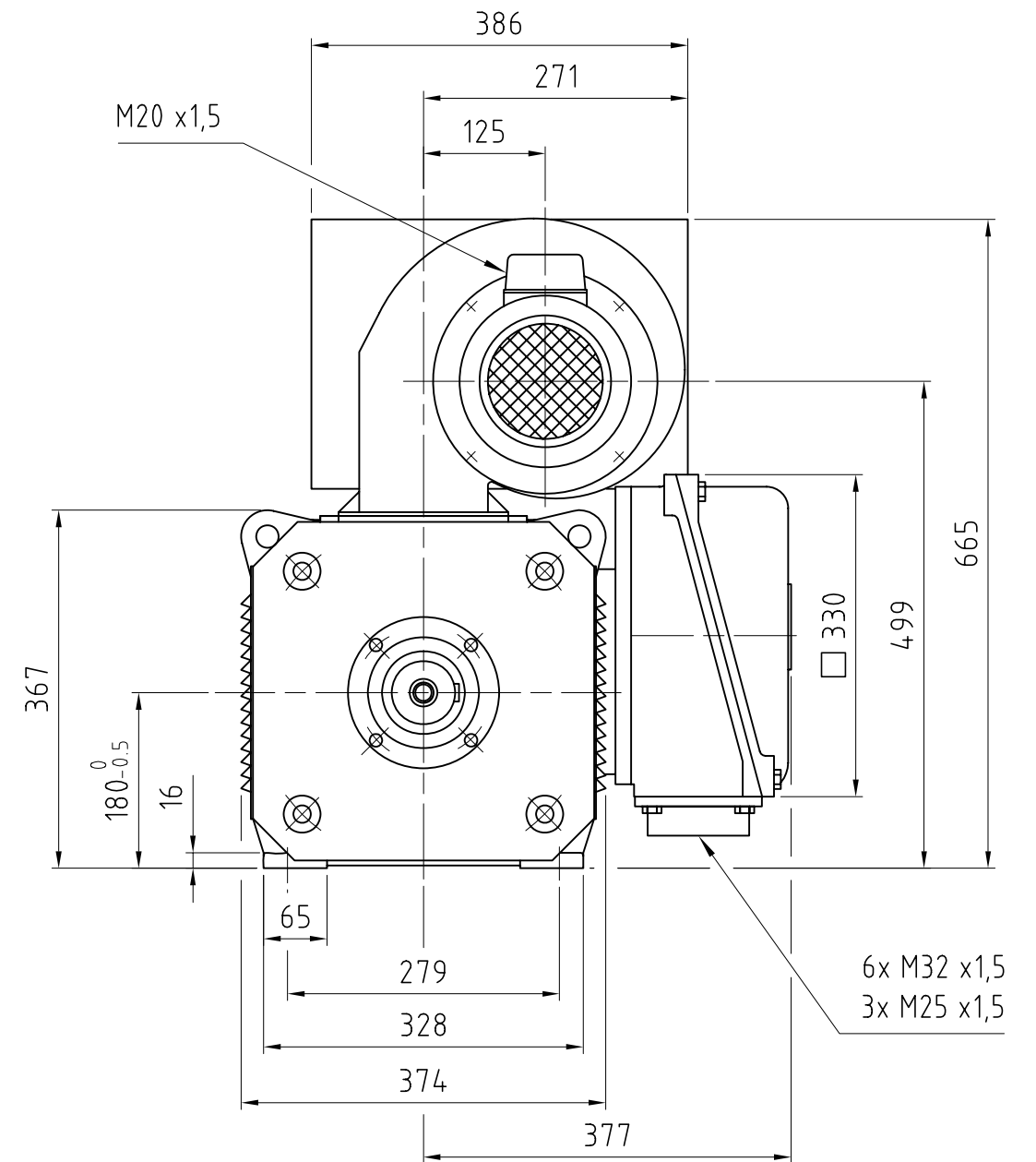
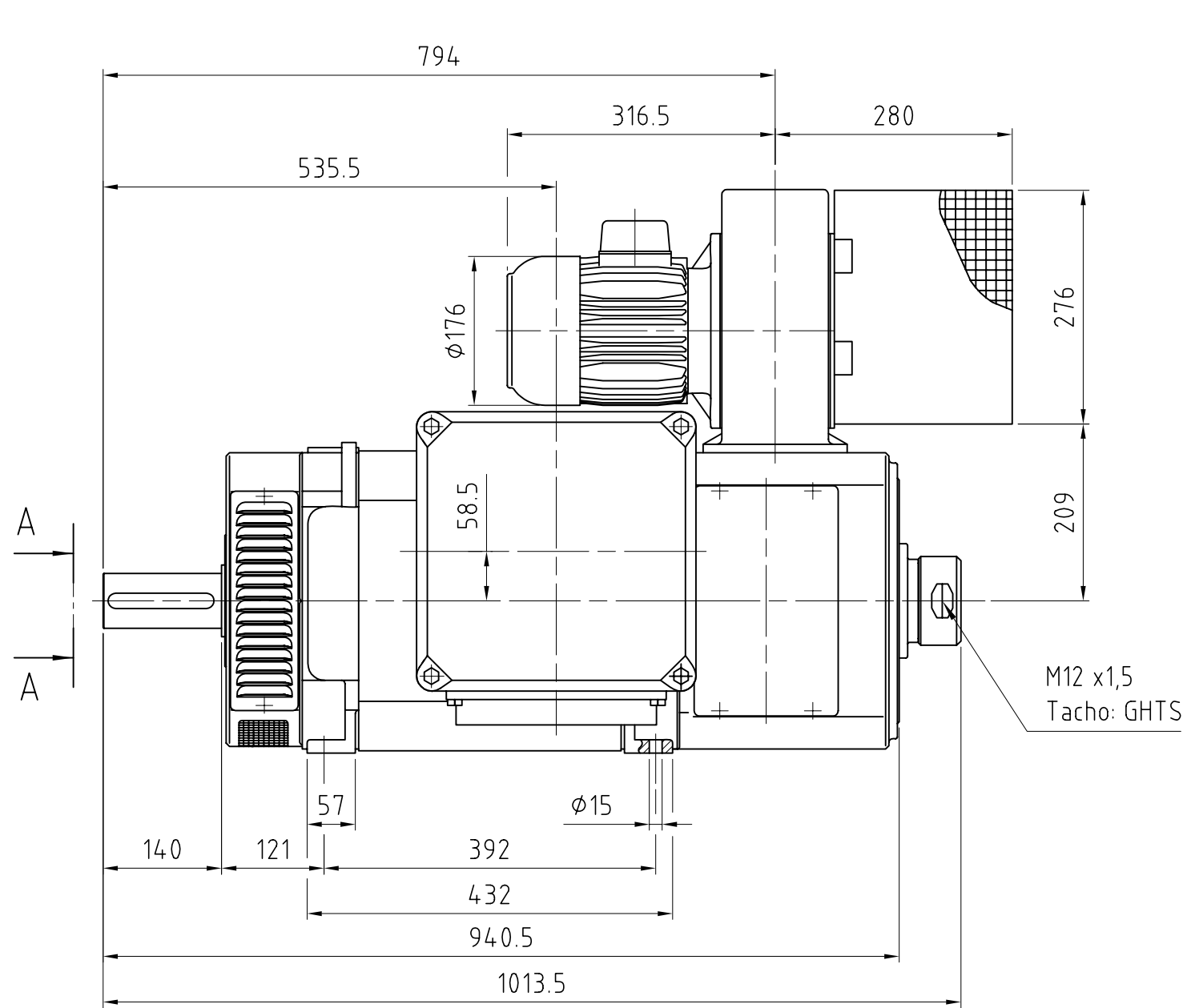


We reserve all rights in this document and in the information contained herein. Reproduction, use or disclosure to third parties without express authority is strictly forbidden.



IM 1001
IP 23
IC 06

| | | | |
|------------------|----------------|-----------------|---------------------------|
| Based on | Pcl 808430 | Reg no 3HB | |
| Prepared | 07-01-05 | H Hällstrand | Dimension Print DMR 180SN |
| Approved | 07-01-12 | RUNE GUNNARSSON | Måttskiss DMR 180SN |
| Resp dept AP/MGT | Take over dept | Revision 1 | Lang 82 |
| | | | Page 1 |
| | | | Cont |
| | | | 3BSM 016948-1 |