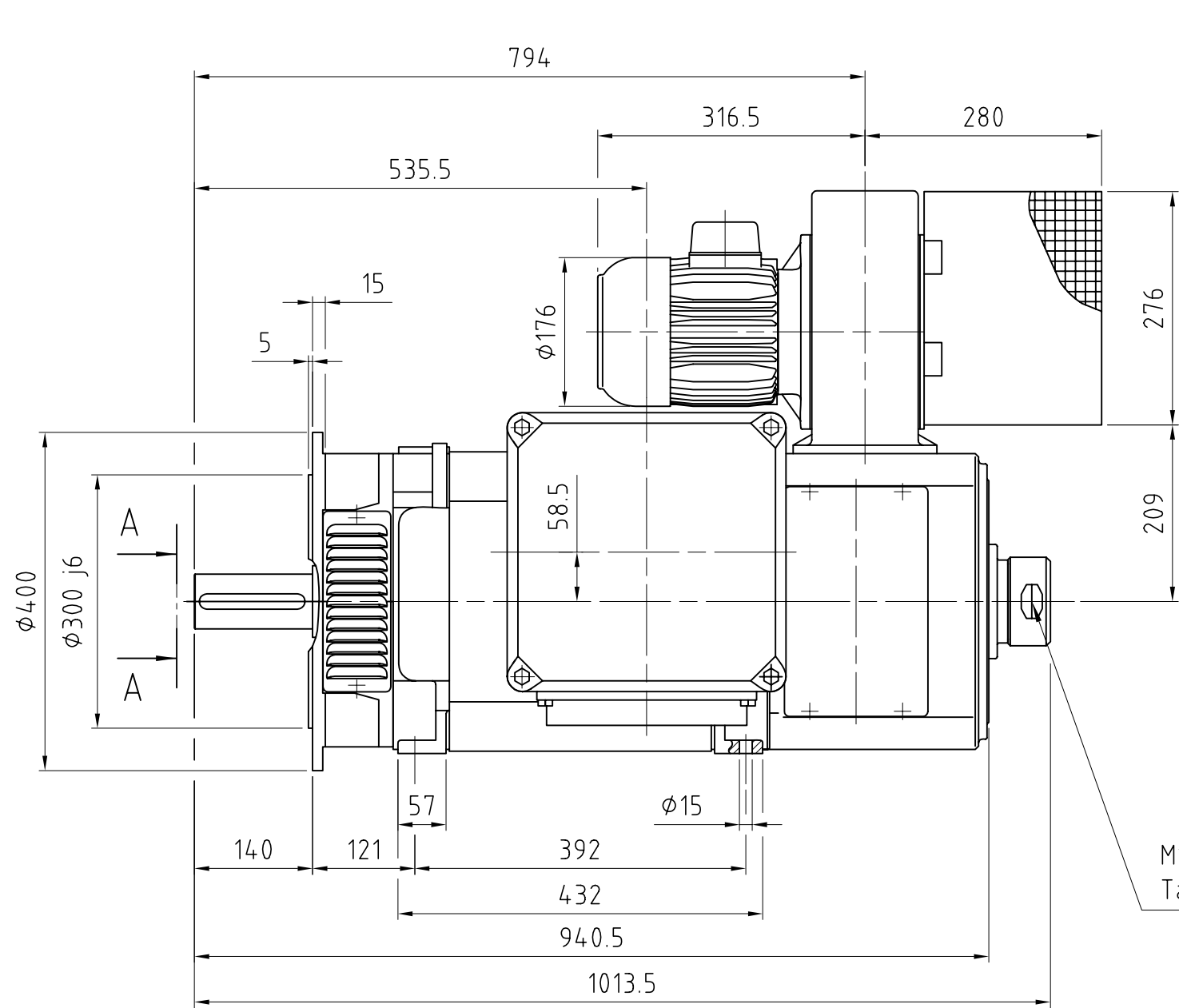
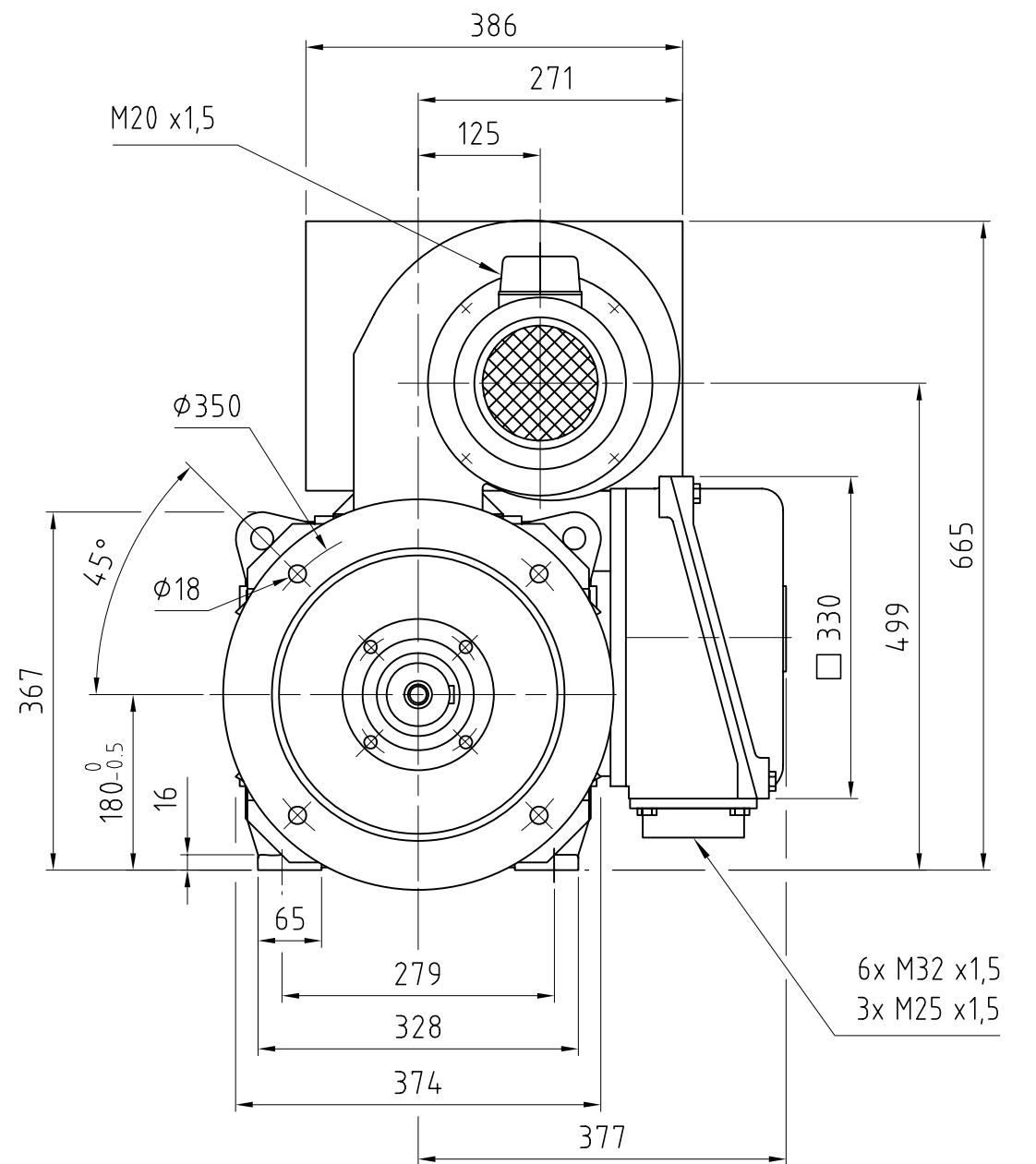


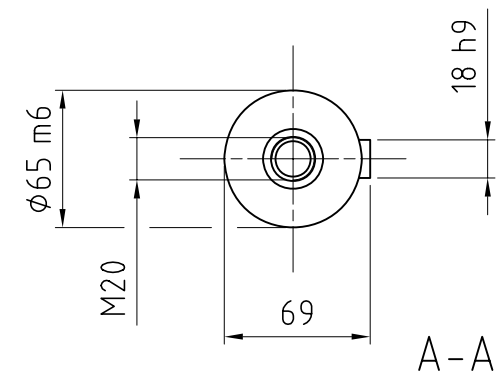
We reserve all rights in this document and in the information contained herein. Reproduction, use or disclosure to third parties without express authority is strictly forbidden.



M12 x1,5  
Tacho: GHTS



6x M32 x1,5  
3x M25 x1,5



IM 2001  
IP 23  
IC 06

Based on	Pcl 808430	Reg no 3HB	
Prepared	07-01-05	H Hällstrand	Dimension Print DMR 180SN
Approved	07-01-12	RUNE GUNNARSSON	Måttskiss DMR 180SN
Resp dept AP/MGT		Take over dept	Revision 1
<b>ABB</b>			Lang 82
			Page 1
			Cont
3BSM 016948-2			